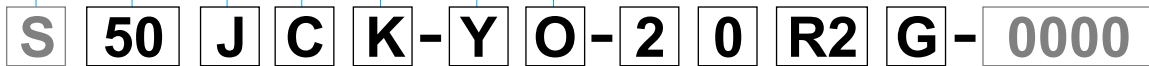
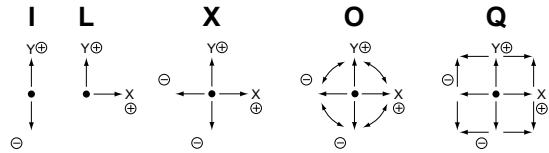


50JC

Potentiometer with a conductive plastic resistive element

Nomenclature

S means special mechanical specifications not applicable to our standards.
50 means approx. size of base housing in mm.
J means joystick controller.
C means 1 and 2-dimensional coordinates is available and also means potentiometers outside-mounted type. Dust proof rubber cover and spring return device are available as standard version.
K means square shape.
Y means kind of mechanism:
X: 1-dimensional coordinate. **Y**: 2-dimensional coordinate.
Available directions of lever operation
Standard version:
O: Omni-directional 360° operating type.
Special version:
I: I figure (Y) directional operating type.
L: L figure(+Y, +X only) directional operating type.
X: Cross directional of X and Y operating type.
Q: Square-directional 360° operating angle.
S: Special operating directions other than the above-mentioned types.



Number of potentiometers to be mounted.
0 no potentiometer mounted. **2** 2 potentiometers mounted.
1 1 potentiometer mounted. **3** 3 potentiometers mounted.

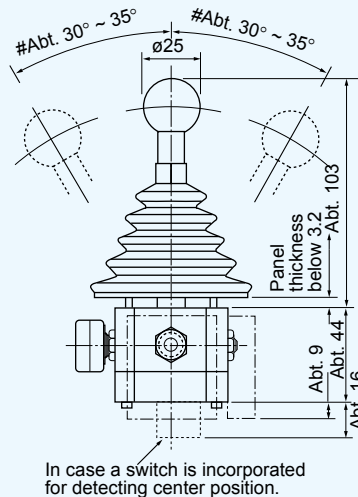
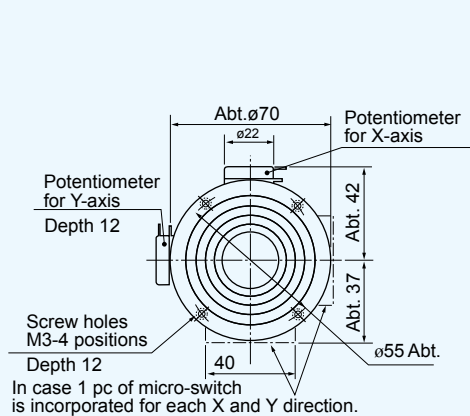
Number of switches to be mounted.
0 no switch mounted. **4** 4 switches mounted.
1 1 switch mounted. **5** 5 switches mounted.
2 2 switches mounted. **6** 6 and over 6 switches mounted.
3 3 switches mounted. **9** other switches to your special request.

With spring return device: (50JC standard)
R1: with spring return device for 1-dimensional coordinate.
R2: with spring return device for 2-dimensional coordinate.

Mounting accessories: **G**: with dust proof rubber cover.(50JC standard) **P**: with sub-panel for mounting.

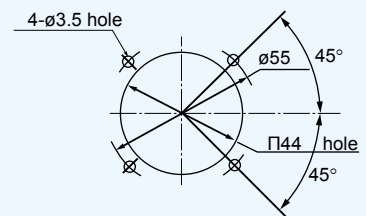
Special part number:
 In case we produce customized product, we add 4-digit branch number.

Standard Dimensions



Panel Arrangements

In case of 1 and 2-dimensional coordinates



(Unit : mm)



50JCK-YO-20R2G
(Standard)
(2-dimensional coordinate type)



S50JCK-YO-25R2G
(With 5 micro-switches and 1 of them is for detecting the center position)

STANDARD SPECIFICATIONS

Mechanical Performance

Controlling range of operating lever :

- 2-dimensional coordinate type : Omni-directionally approx. $\pm 30^\circ \sim \pm 35^\circ$ operation from center position.

Operating force : Standard spring return device : Automatically return to center (omni-directional type)

Approx. 3~15N (300~ 1,500gf.)

Operating temperature range : $-20^\circ\text{C} \sim + 65^\circ\text{C}$

Vibration : 10~55Hz 98m/s²

Shock : 294m/s²

Life expectancy : Approx. 5,000,000 operations.

Mass : Approx. 350g

Electrical Performance

Potentiometers mounted : SFCP22E 10k Ω \pm 15%, 0.2W, independent linearity tolerance \pm 3% (conductive plastic resistive element). (Electrical rotating angle : Approx. 60°)

[All terminals can be fitted with the AMP110 series fasten receptacle (2.8 X 0.5mm) or equivalents.]

Output smoothness : Below 0.2% against input voltage.

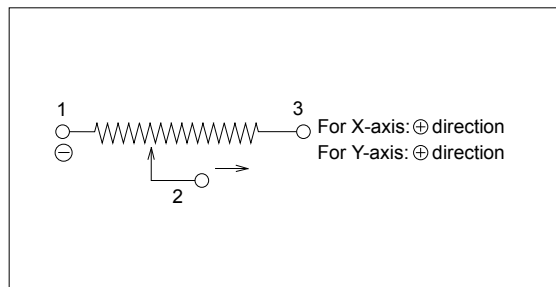
Contact resistance variation : Below 5% C.R.V.

Resolution : Essentially infinite

Dielectric strength : 1 minute at 500V.A.C.

Insulation resistance : Over 1,000M Ω at 500V.D.C.

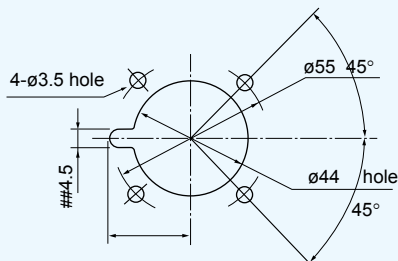
Terminal Connection Diagram



Special Specification Available

Panel Arrangements

in case of with knob type 102



1. In case of type Q, the angle of mark '#' becomes 360° square- direction and $\pm 20^\circ \sim \pm 25^\circ$ from center position.
2. In case of JC with knob type 102, if other components, except our standard pot model SFCP22E, are mounted, the position of mark '#' may be changed to other position.
3. 4 pcs. of mounting screw (M3 X 8) are attached.

(Unit : mm)