

## FLBM11 Single-point Loadcell



Stainless steel IP68 Single point Load Cell. Hermetically sealed. Suitable for electronic weighing equipment like belt scales, hopper scales, etc.



### Specifications

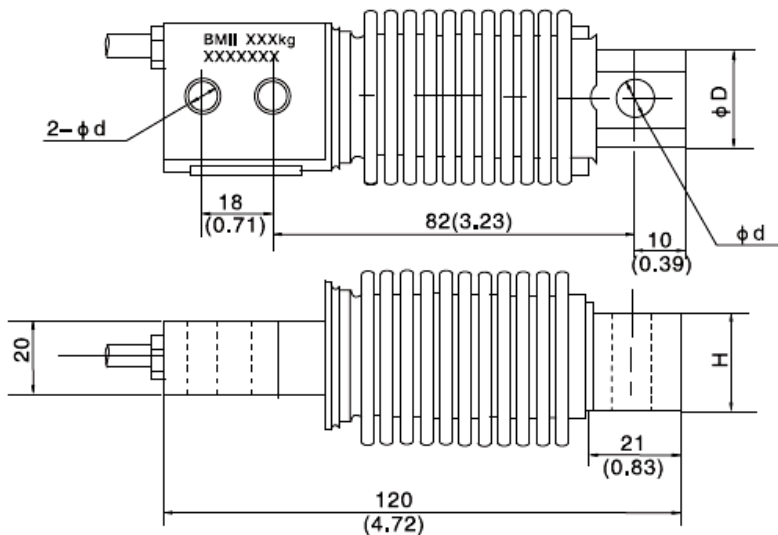
<b>Accuracy Class</b>	OIML R60 C3	<b>Temperature effect on span (%FS/10°C)</b>	0.014
<b>Rated output (mV/V)</b>	2.0 ± 0.2	<b>Temperature effect on zero (%FS/10°C)</b>	0.017
<b>Combined Error (%FS)</b>	0.02	<b>Temperature, compensated (°C)</b>	-10 ~+40
<b>Non-linearity (%FS)</b>	0.017	<b>Temperature, operating (°C)</b>	-35 ~+65
<b>Non-repeatability (%FS)</b>	0.01	<b>Excitation, recommended (V)</b>	5~12(DC)
<b>Creep (%FS/30min)</b>	0.02	<b>Excitation, Max. (V)</b>	18(DC)
<b>Input Resistance (Ω)</b>	460 ± 50	<b>Safe Overload (%FS)</b>	150
<b>Output Resistance (Ω)</b>	350 ± 3,5	<b>Ultimate Overload (%FS)</b>	300
<b>Insulation Resistance (MΩ)</b>	≥5000(50VDC)	<b>Protection Class</b>	IP 68
<b>Zero Balance (%FS)</b>	1.0	<b>Cable length (m)</b>	3
<b>Max. number of load cell intervals</b>	3000	<b>Cable Spec 4-wire shielded cable</b>	5 mm
		<b>Element material</b>	Stainless steel

### Models

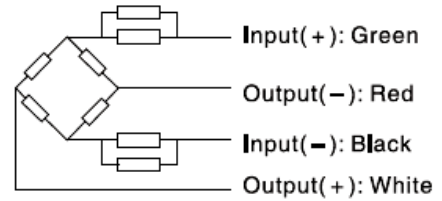
Capacity	Accuracy	Part number
20kg	C3	FLBM11-C3-20KG-3B-SC
30kg	C3	FLBM11-C3-30KG-3B-SC
50kg	C3	FLBM11-C3-50KG-3B-SC
100kg	C3	FLBM11-C3-100KG-3B-SC
200kg	C3	FLBM11-C3-200KG-3B-SC
350kg	C3	FLBM11-C3-350KG-3B-SC
500kg	C3	FLBM11-C3-500KG-3B-SC

### Electrical Connection

Red Input(+) Black Input(-)  
 Green Output(+) White Output(-)  
 Transparent (shield)



Capacity	20,30,50, 100,200	350, 500
Dimension		
d	8.2 (0.32)	10.3 (0.41)
D	23 (0.91)	24 (0.94)
H	20 (0.79)	19 (0.75)



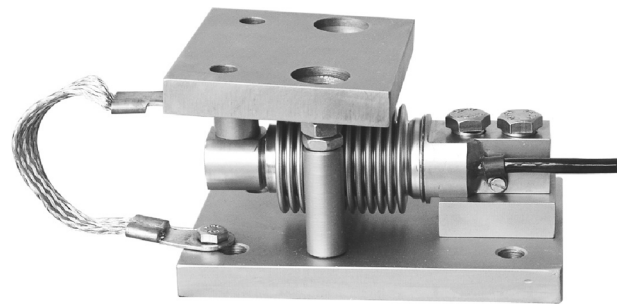
**Wiring:**

- Shielded, 4 conductor cable: φ 5mm.
- Standard cable length: 3m.
- Cable type and cable length for customer's own application are available on request.
- Shield not connected to element.

■ **Accessories**

**Tankmount**

- FLBM-11-400 -10/200kg Tankmount
- FLBM-11-401 -5/200kg Tankmount (photo)



**Junction box**

- FLJB02 -04 4-Load Cell Junction box



Cast aluminium, plastic-sprayed.  
 Easy to assemble and calibrate, high reliability.  
 Optional(FLFD-5): built-in amplifier, 24VDC, output: 0-5VDC (>0,05%FS) and 4-20mA (>0,1%FS)

Part number	Channels
FLJB02-2	2
FLJB02-3	3
FLJB02-4	4

Fully encapsulated, water proof and moisture proof.  
 Operating temperature: -40°C~+85°C IP65

**Feteris Components B.V.**

Scheveningseweg 15 +31 70 3924421  
 2517 KS The Hague +31 70 3644249  
 The Netherlands

www.feteriscomponents.com  
 sales@feteriscomponents.nl  
 Offices in : Benelux | France | Germany | United Kingdom | USA | Italy

