

KCC-NA --COMPRESSION LOAD CELL--

This center-hole load cell is provided with flanges. With its large-diameter center hole and low height, this load cell can be used in almost all anchor methods. It is capable of stable load measurement with a certain degree of eccentricity.

-- Feature --

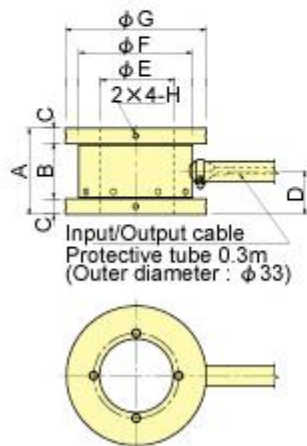
- Large center-hole diameter
- With top and bottom flanges
- A little influence of eccentric loading
- Drip-proof construction



-- Specifications --

Type	KCC-200KNA	KCC-500KNA	KCC-1MNA
Capacity	200kN	500kN	1MN
Rated Output*	1mV/V±10%		
Non-linearity	1%RO		
Hysteresis	1%RO		
Temperature Effect on Zero	0.1%RO/°C		
Temperature Effect on Span	0.05%/°C		
Temperature Range Allowable	-10 to +60°C		
Over Load	120%		
Resistance	350 ohm ±1%		
Exciting Voltage Recommended	Less than 10V		
Exciting Voltage Allowable	20V		
Initial Unbalance	5%RO		
Electrical Connection	∅9mm 0.5mm ² 4-core Shielded Chloroprene Cable 5m		

*Rated Output: 1mV/V=2000x10⁻⁶strain



Type	A	B	C	D	E	F	G	H	Weight
KCC-200KNA	108	68	20	54	90	145	190	-	13kg
KCC-500KNA	140	90	25	70	120	185	230	M8 DP20	20kg
KCC-1MNA	183	123	30	92	140	220	250	M12 DP20	32kg

Unit:mm

Type	A	B	C	D	E	F	G	H	I	J	K	Weight
CLM-10KNB	60	98	22	5	60	27.5	31	64	80	M8 DP10	-	2.5kg
CLM-20KNB	60	98	22	5	60	27.5	31	64	80	M8 DP10	-	2.5kg
CLM-50KNB	60	98	22	5	60	27.5	31	64	80	M8 DP10	-	3kg
CLM-100KNB	70	118	24	5	80	32.5	34	68	90	M8 DP10	-	5kg
CLM-200KNB	90	157	34	10	100	40	37	86	120	M8 DP15	-	11kg
CLM-500KNB	110	187	50	10	140	50	38	110	150	M8 DP15	-	18kg
CLM-1MNB	135	300	74	15	160	60	40	166	240	M12 DP15	M12 DP22	60kg
CLM-2MNB	170	400	100	15	250	77.5	40	214	320	M16 DP20	M16 DP27	130kg

Unit:mm