

MECHANICAL SPECIFICATIONS

Dimensions: see drawings
Shaft: stainless steel
Shaft loading: axial: 200 N; radial 200 N
Shaft rotational speed: 10.000 RPM to short cycle time; 6.000 RPM continuous; 2.000 RPM with proof shaft
Starting torque at 25°C: 0,025 Nm
Moment of inertia: 50 g cm²
Bearings life: 5 x 10⁸ rev. min.
Weight: ~ 0,23 kg

ELECTRICAL SPECIFICATIONS

Output frequency: up to 100 kHz
Synchronous index output: on A default - B - A+B optional
Supply current without load: 150 mA max.
Protection: short circuit protection, no limit duration (only output LD2 and PP2); against inversion of polarity (except 5Vcc)

MATERIALS

Flange: aluminium non corroding
Housing: Polyamid 6 (PA6)

ENVIRONMENTAL SPECIFICATIONS

Operating temperature range: -10°C ÷ + 70°C
Storage temperature range: - 30°C ÷ 80°C
Relative humidity : 98% RH without condensing
Vibrations: 10 g (From 10 up to 2.000 Hz)
Shock: 20 g (for 11 ms)



ORDERING CODE

TK XXX . XX . XXXX . XXXXX . X . XX . XX,XX . XXnn . XXX-XXXX . Xnnn

Custom

ASSEMBLY

SG Servo-clip
 FA Square flange
 S Flange servo

TYPE

TK 451 unidirectional
 TK 452 unidirect + index
 TK 461 bidirectional
 TK 462 bidirect + index

PULSE RATE

2 - 5 - 10 - 20 - 25 - 30 - 32 - 36 - 40 - 50 - 60 - 64 - 72 -
 80 - 88 - 90 - 100 - 120 - 125 - 127 - 128 - 150 - 162 -
 180 - 183 - 200 - 240 - 250 - 254 - 256 - 300 - 314 - 360 -
 375 - 390 - 400 - 500 - 512 - 576 - 600 - 625 - 635 - 720 -
 750 - 800 - 900 - 1000 - 1024 - 1200 - 1250 - 1270 -
 1440 - 1500 - 1800 - 2000 - 2048 - 2500 - 2540 - 2700

Voltage supply (Vdc)

5 +5 V ±5 %
 11/30 +11V ±30 V
 24/5 +11/30 V supply + 5 V output

Output frequency

S from 0 up to 50 kHz
 V from 0 up to 100 kHz

Protection class

K1 IP 55 (EN60529)
 K4 IP 64 (EN60529)

OUTPUT CIRCUITS

S NPN standard (resistor included)
 OC NPN open collector
 P PNP (resistor included)
 OP PNP open collector
 PP2-5 Push-Pull 5 V output
 PP2-1130 Push-Pull 11/30 Vcc output (only with voltage supply 11/30 V)
 LD Line driver RS422 (26LS31) only 5 V or 24/5 V
 LD2-5 Line driver 5 Vcc output
 LD2-1130 Line driver 11/30 Vcc output (only with voltage supply 11/30 V)

ELECTRICAL CONNECTIONS

OUTPUT: S ; P ; OC ; OP ; PP2 ; LD ; LD2 (except TK462)

Pnn on axial cable gland with cable 1 ÷ 6 m long;
PLnn radial cable gland with cable 1 ÷ 6 m long;
S 07 on 7 pins axial MIL connector;
L 07 on 7 pins radial MIL connector;

OUTPUT: LD ; LD2 (only TK462)

Pnn on axial cable gland with cable 1 ÷ 6 m long;
PLnn radial cable gland with cable 1 ÷ 6 m long;
S 10 on 10 pins axial MIL connector;
L 10 on 10 pins radial MIL connector;
PS cap radial cable gland with cable 1 ÷ 6 m long

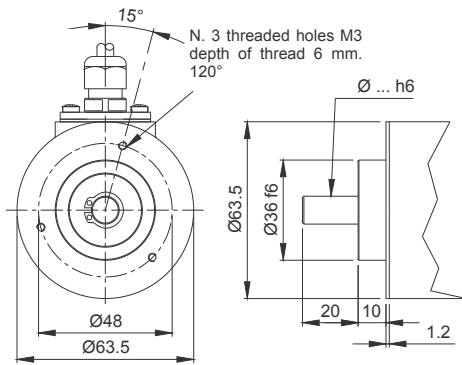
nn Cable length (es. PL10 = 1 m. ... PL60 = 6 m)

Shaft

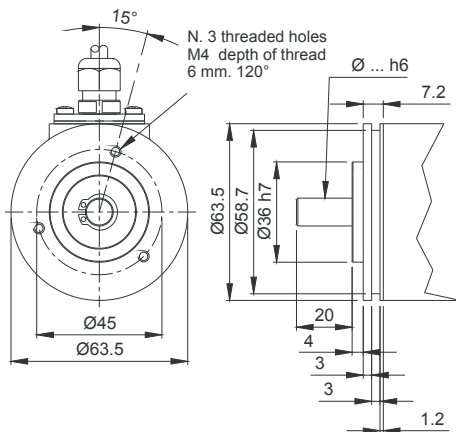
6 Ø 6 mm
 8 Ø 8 mm
 9,52 Ø 9,52 mm
 10 Ø 10 mm

MECHANICAL ASSEMBLY

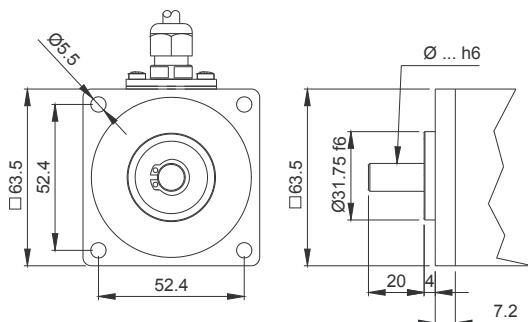
S Servo standard



SG Servo-clip



FA Square flange



ELECTRICAL CONNECTIONS

