



MECHANICAL SPECIFICATIONS

Dimensions: see drawings
Shaft loading: axial: 40 N; radial 40 N
Shaft rotational speed: 12.000 RPM to short cycle time; 6.000 RPM continuous; 2000 with proof shaft
Starting torque at 25°C: 0,025 Nm; *(1)
Moment of inertia: 40 g cm²
Bearings life: 5 x 10⁹ rev. Min.
Weight: ~0,7 kg

ELECTRICAL SPECIFICATIONS

Output frequency: up to 150 kHz
Synchronous index output: on A default; B - A+B optional
Supply current without load: 150 mA max.
Protection: short circuit protection, no limit duration (only output LD2 and PP2); against inversion of polarity (except 5Vcc)

MATERIALS

Flange: aluminium S11
Housing: Polyamid 6 (PA6)

ENVIRONMENTAL SPECIFICATIONS

Operating temperature range: -10°C + +70°C
Storage temperature range: -30°C + +80°C
Relative humidity : 98% RH without condensing
Vibrations: 10 g (From 10 up to 2.000 Hz)
Schock: 20 g (for 11 ms)



ORDERING CODE

(TKM XXX) . (X) . (XXXX) . (XXXXX) . (X) . (K1) . (X) . (PSnn) . (XXX-XXXX) . (Xnnn)

Custom

TYPE

TKM 310 unidirectional
 TKM 311 unidirect + index
 TKM 320 bidirectional
 TKM 321 bidirect + index

ASSEMBLY

A mounting bell type "A"
 B mounting bell type "B"
 C mounting bell type "C"

PULSE RATE

2 - 3 - 5 - 10 - 15 - 20 - 25 - 32 - 36 - 40 - 50 - 60 - 64 - 72 -
 78 - 100 - 108 - 125 - 128 - 132 - 150 - 156 - 168 - 176 -
 180 - 188 - 192 - 200 - 216 - 239 - 250 - 254 - 256 - 300 -
 314 - 360 - 400 - 500 - 512 - 600 - 625 - 720 - 800 - 900 -
 1000 - 1024 - 1250 - 1440 - 2000 - 2500 - 3600

Voltage supply (Vdc)

5 +5 V ±5 %
 11/30 +11V +30 V
 24/5 +11/30 V supply + 5 V output

Output frequency

S from 0 up to 50 kHz
 V from 0 up to 150 kHz

OUTPUT CIRCUITS

S NPN standard (resistor included)
 OC NPN open collector
 P PNP (resistor included)
 OP PNP open collector
 PP2-5 Push-Pull 5 V output
 PP2-1130 Push-Pull 11/30 Vcc output (only with voltage supply 11/30 V)
 LD Line driver RS422 (26LS31) only 5 V or 24/5 V
 LD2-5 Line driver 5 Vcc output
 LD2-1130 Line driver 11/30 Vcc output (only with voltage supply 11/30 V)

ELECTRICAL CONNECTIONS

OUTPUT: S ; OC ; P ; OP ; PP2 ; LD ; LD2
PSnn only cap radial cable gland with cable 1 + 6 m long;

nn Cable length (es. PS10 = 1 m. ... PS60 = 6 m)

Shaft

6 Ø 6mm
 8 Ø 8mm
 10 Ø 10 mm

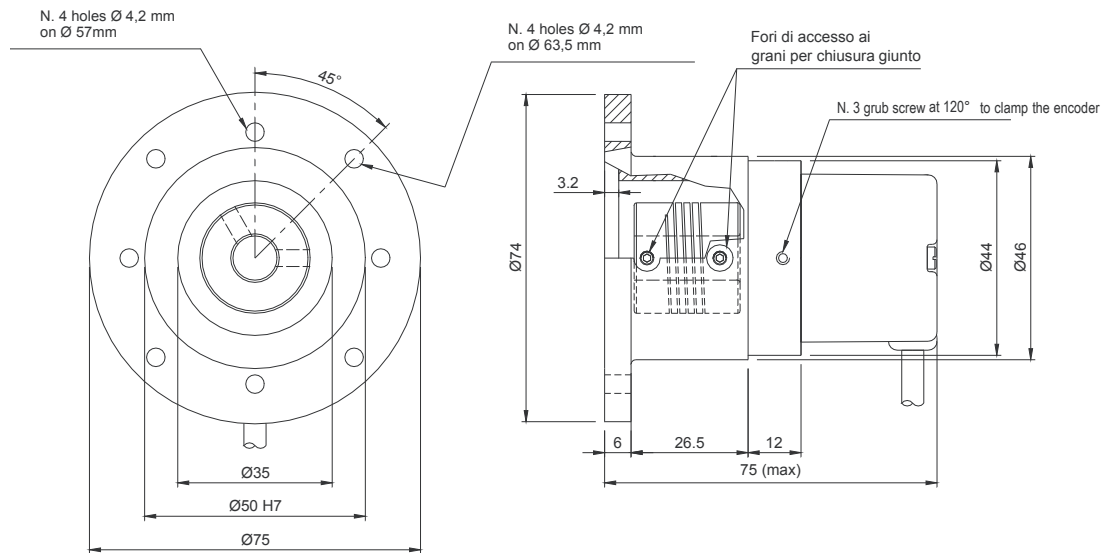
Protection class

K1 IP 55 (EN60529)

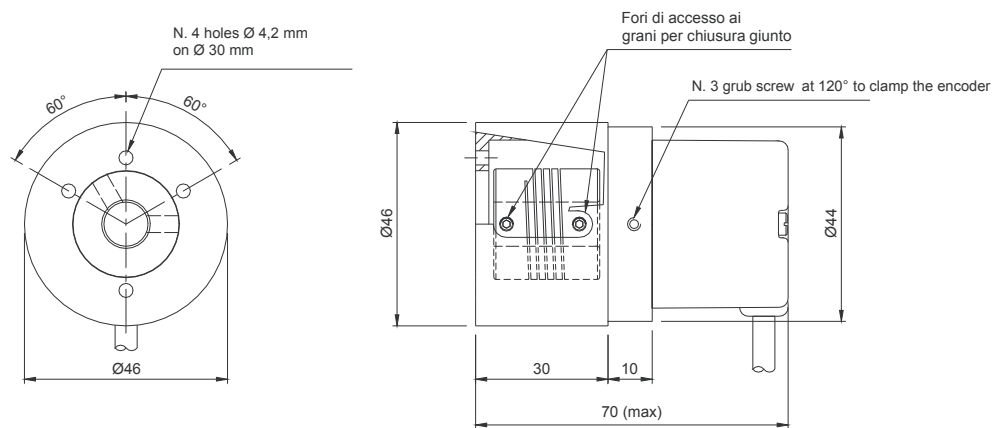
*(1) Not a test parameter, information only

MECHANICAL ASSEMBLY

Mounting bell type "A"



Mounting bell type "B"



Mounting bell type "C"

