



**MECHANICAL SPECIFICATIONS**

**Dimensions:** see drawings  
**Shaft:** stainless steel  
**Shaft loading:** axial: 200 N; radial 200 N  
**Shaft rotational speed:** 10.000 RPM to short cycle time; 6.000 RPM continuous  
**Bearings life:** 5 x 10<sup>7</sup> rev. Min.  
**Weight:** ~0,3 kg

**ELECTRICAL SPECIFICATIONS**

**Output frequency:** up to 100 kHz  
**Synchronous index output:** on A default; B - A+B optional  
**Supply current without load:** 150 mA max.  
**Protection:** short circuit protection, no limit duration (only output LD2 e PP2); against inversion of polarity (except 5Vcc)

**ENVIRONMENTAL SPECIFICATIONS**

**Operating temperature range:** -10°C ++70°C  
**Storage temperature range:** -30°C++80°C  
**Relative humidity :** 98% RH without condensing  
**Vibrations:** 10 g (From 10 up to 2.000 Hz)  
**Schock:** 20 g (for 11 ms)



**ORDERING CODE**

**TKW XXXX REO444** . **X** . **XXXX** . **XXXXX** . **X** . **K1** . **=** . **Lnn** . **XXX-XXXX** . **Xnnn**

Custom

**TYPE**  
 TKW 6151 REO444 unidirectional  
 TKW 6152 REO444 unidirect + index  
 TKW 6161 REO444 bidirectional  
 TKW 6162 REO444 bidirect + index

**ASSEMBLY**  
 FRE REO 444 flange

**PULSE RATE**  
 2 - 5 - 10 - 20 - 25 - 30 - 32 - 36 - 40 - 50 - 60 - 64 - 72 - 80  
 - 88 - 90 - 100 - 120 - 125 - 127 - 128 - 150 - 162 - 180 -  
 183 - 200 - 240 - 250 - 254 - 256 - 300 - 314 - 360 - 375 -  
 390 - 400 - 500 - 512 - 576 - 600 - 625 - 635 - 720 - 750 -  
 800 - 900 - 1000 - 1024 - 1200 - 1250 - 1270 - 1440 - 1500  
 - 1800 - 2000 - 2048 - 2500 - 2540 - 2700 - 3600

**Voltage supply (Vdc)**  
 5 +5 V ±5 %  
 11/30 +11V +30 V  
 24/5 +11/30 V supply + 5 V output

**Output frequency**  
 S from 0 up to 50 kHz  
 V from 0 up to 100 kHz

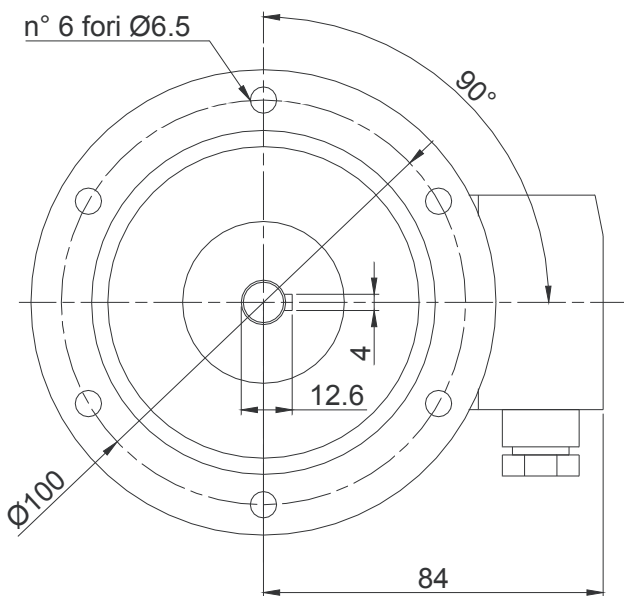
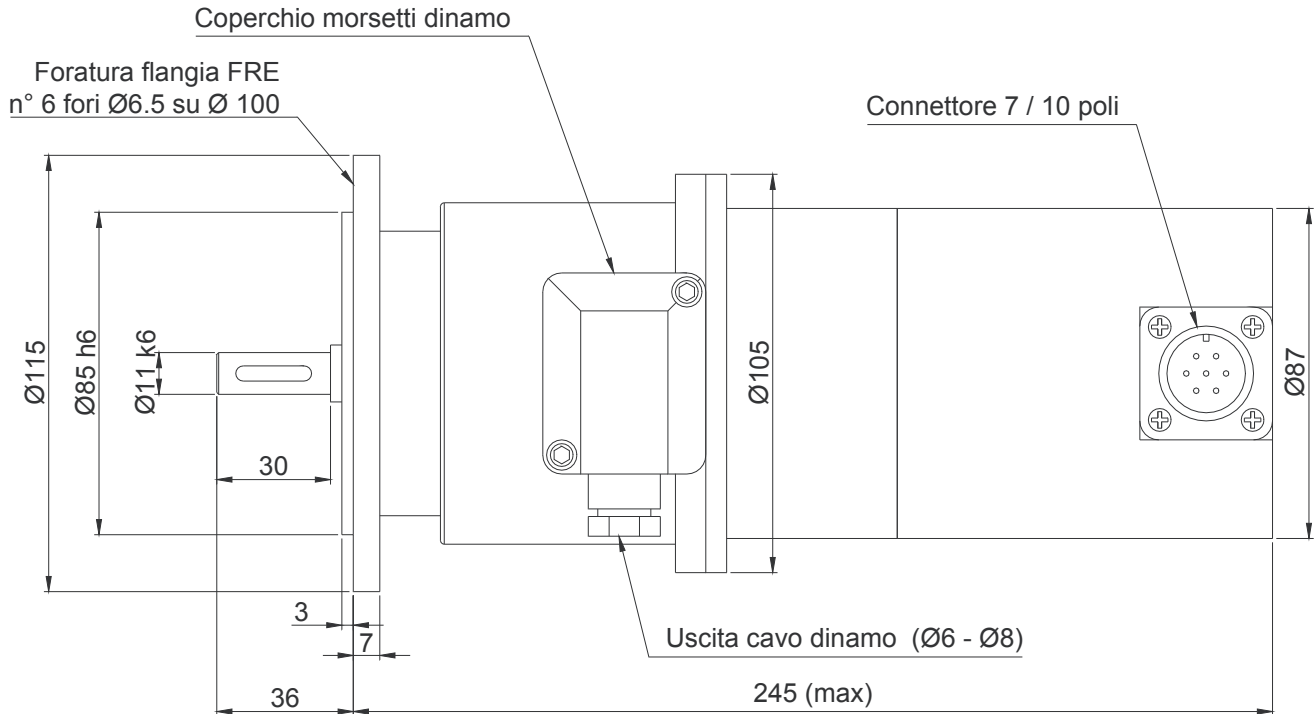
**OUTPUT CIRCUITS**  
 S NPN standard (resistor included)  
 OC NPN open collector  
 P PNP (resistor included)  
 OP PNP open collector  
 PP2-5 Push-Pull 5 V output  
 PP2-1130 Push-Pull 11/30 Vcc output (only with voltage supply 11/30 V)  
 LD Line driver RS422 (26LS31) only 5 V or 24/5 V  
 LD2-5 Line driver 5 Vcc output  
 LD2-1130 Line driver 11/30 Vcc output (only with voltage supply 11/30 V)

**ELECTRICAL CONNECTIONS**  
**OUTPUT:** S ; P ; OC ; OP ; PP2 ; LD ; LD2 ; (except TKW6162REO444)  
 L 07 on 7 pins radial MIL: connector;  
**OUTPUT:** LD ; LD2 (only TKW6162REO444)  
 L 10 on 10 pins radial MIL connector;

**Shaft**  
 = Ø 11 mm

**Protection class**  
 K1 IP 55 (EN60529)

**FRE REO 444 Flange**



**Monolithic assembling:**

**Encoder + Tachogenerator 60 V - 1.000 RPM**

**Tachogenerator features**

Voltage	60 V / 1.000 RPM
Maximum current	0,1 A @ 6.000 RPM
Linear error	max 1 %
Ripple peak-peak	max 0,1 %