

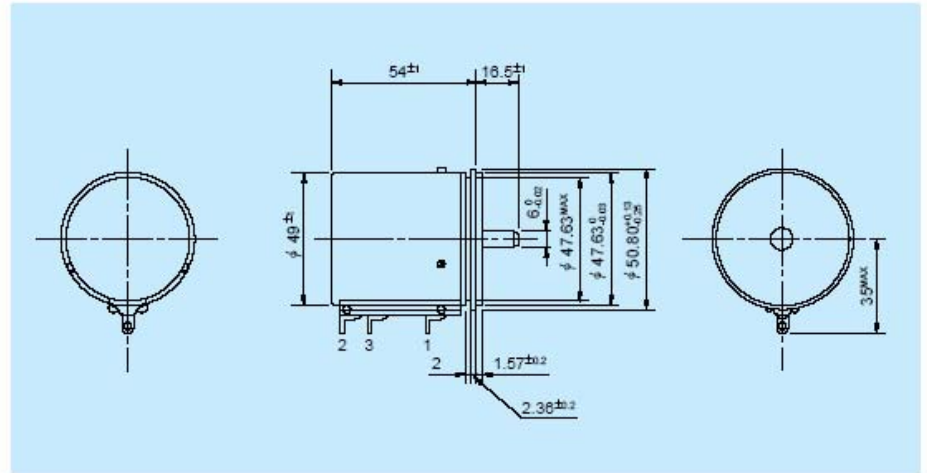
Wirewound

MODEL 50HDS-10

(Servomount)



● **Standard Dimensions**



● **General Specifications**

| | | | |
|---|---|---|---------------------------|
| Standard Resistance Range: | 5kΩ to 100kΩ | Insulation Resistance: | Over 100MΩ at 1,000V.D.C. |
| Total Resistance Tolerance: | Standard Class ±3% (H) Precision Class ±1% (F) | Dielectric Strength: | 1 minute at 1,000V.A.C. |
| Independent Linearity Tolerance: | Standard Class ±0.02% Precision Class ±0.01% | Starting Torque: | Below 10mN·m (100gf·cm) |
| Power Rating: | 5.0W | Stopper Strength: | Approx. 1.5N·m (15kgf·cm) |
| Noise: | Below 100Ω E.N.R. | Max. Working Voltage: | 500V |
| Electrical Travel: | 3,600° ^{+3°} 0° | Resist. Temperature Coefficient of Wire: | ±20p.p.m./°C |
| Mechanical Travel: | 3,600° ^{+10°} 0° | Mass: | Approx. 200g |

● **Standard Resistance Values** ■ **No. of Wire Turns** ■ **Resistance Wire Used**

| Resist. Value (Ω) | 5k | 10k | 20k | 50k | 100k |
|-------------------|--------------|--------|--------|--------|--------|
| No. of Wire Turns | 11,630 | 14,700 | 18,520 | 25,640 | 32,260 |
| Resist. Wire Used | Ni-Cr System | | | | |

● **Special Specifications Available**

Extra taps (Available up to 1 tap), Shaft with front and rear extension (Rear shaft with 6mm dia. and 15mm length), Special machining on the shaft.