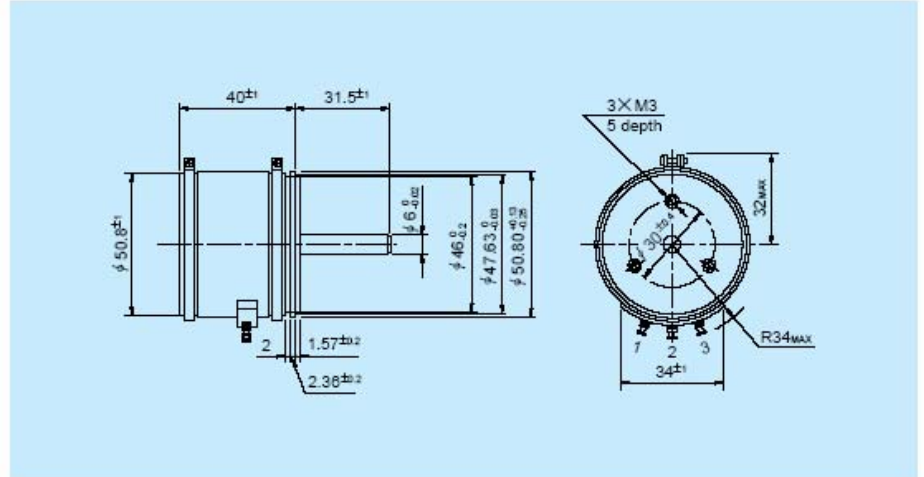
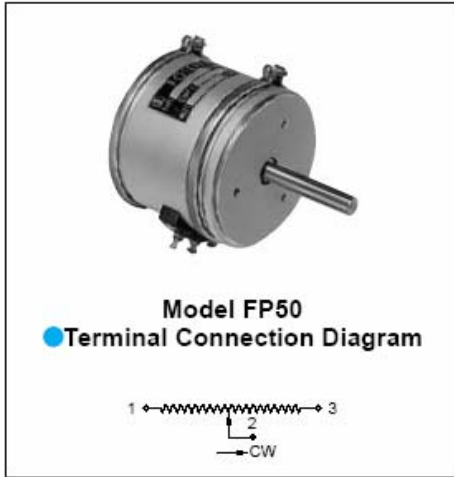


Wirewound

MODEL FP50

(Servomount)

Standard Dimensions



General Specifications

Standard Resistance Range:	500Ω to 10kΩ	Noise:	Below 100Ω E.N.R.
Total Resistance Tolerance:	Standard Class ±10% (K) Precision Class ±5% (J)	Electrical Travel:	300° ±3°
Function Characteristics (Examples):	20dB log, Sine 90°, Sine 180°, Tan 45° X ² (0 ≤ X ≤ 1) 1/X (1 ≤ X ≤ 10)	Mechanical Travel:	360° (Endless)
Power Rating:	1.5W	Insulation Resistance:	Over 1,000MΩ at 1,000V.D.C.
Conformity Tolerance (Peak-Peak):	Standard Class ±5% Precision Class ±3% Super-precision Class ±1%	Dielectric Strength:	1 minute at 1,000V.A.C.
		Starting Torque:	Below 8mN•m (80gf•cm)
		Max. Working Voltage:	250V
		Resist. Temperature Coefficient of Wire:	±20p.p.m./°C
		Mass:	Approx. 160g

Special Specifications Available

Extra taps (Available up to 5 taps), Multi-ganged (Available up to 3 gangs. Housing length is extended by 30mm per 1 gang), Shaft with front and rear extension (Rear shaft with 6mm dia. and 15mm length), Bushingmount type, With stopper (Rotating angle becomes 330° and stopper strength is 0.9N•m [9kgf•cm]), Special electrical travel, Shaft dia. (∅6.35mm) with inch dimensions, Special machining on the shaft, Oil-filled type.