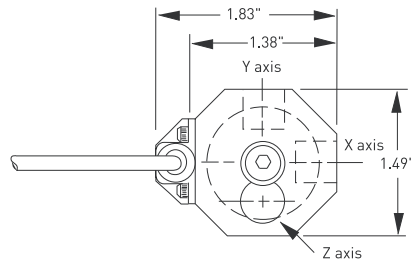


## Model 993A-5 General purpose, triaxial accelerometer with integral cable

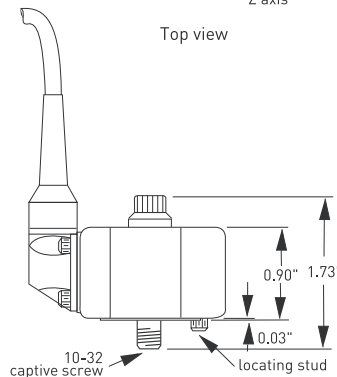


### Features

- Rugged
- General purpose
- Industrial
- Easy to mount



Top view



Side view

### Dynamic

Sensitivity, $\pm 10\%$ , 25°C.....	100 mV/g
Acceleration range .....	50 g peak
Amplitude nonlinearity.....	1%
Frequency response:	
all channels, $\pm 10\%$ .....	2 - 2,000 Hz
Transverse sensitivity, max.....	5 % of axial
Temperature response.....	
-50°C	+10%
+25°C	+0%
+80°C	+3%
-120°C	-7%

### Electrical

Power requirement: voltage source.....	1 - 30 VDC
current regulating diode .....	2 - 10 mA
Electrical noise, equiv. g:	
Broadband 2.5 Hz to 25 kHz.....	150 $\mu$ g
Spectral 10 Hz.....	20 $\mu$ g/ $\sqrt{\text{Hz}}$
100 Hz.....	2 $\mu$ g/ $\sqrt{\text{Hz}}$
1000 Hz.....	0.6 $\mu$ g/ $\sqrt{\text{Hz}}$
Output impedance, max. ....	100 $\Omega$
Bias output voltage.....	12 VDC
Grounding.....	case isolated, internally shielded

### Environmental

Temperature range .....	-50 to 120°C
Vibration limit.....	500 g peak
Shock limit .....	5,000 g peak
Electromagnetic sensitivity, equiv. g.....	250 $\mu$ g/gauss
Sealing .....	Epoxy
Base strain sensitivity .....	0.002 g/ $\mu$ strain

### Physical

Sensing element design .....	PZT ceramic / shear
Weight .....	90 grams
Case material.....	Hardcoated Aluminum
Mounting .....	10-32 captive screw
Mating connector .....	Not applicable
Recommended cabling.....	Integral cable provided, J98, 6 ft.

Function	Cable conductor
color Axis X, power / signal	green
Axis Y, power / signal	red
Axis Z, power / signal	white
Common (all channels)	black
N/C	shield

Accessories supplied: #11085 captive screw (International customers specify mounting requirements); calibration data (Level 2)  
Accessory available: SF8-8 Cementing pad, 10-32, keyed